

Liquid Nitrogen Traps

GNB designs Liquid Nitrogen Traps for durability, performance. Choose from standard sizes and features as shown, or contact us for custom options.



***High Vacuum
Liquid Nitrogen traps
High efficiency
Low Maintenance***

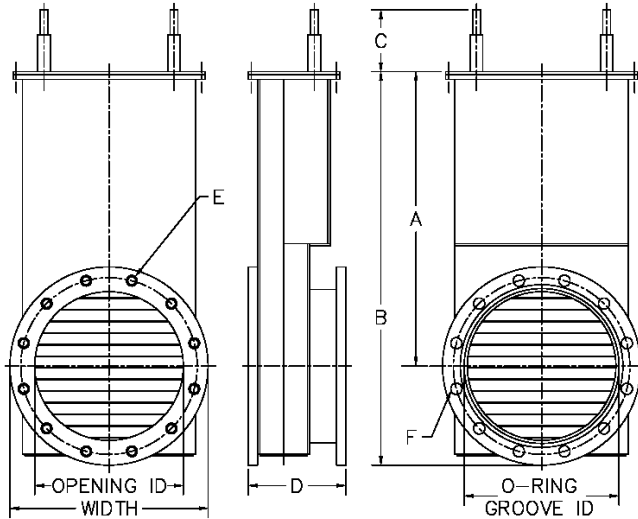
GNB Corporation
3200 Dwight Road Suite 100
Elk Grove, California 95758
Ph: (916) 395-3003
Fx: (916) 395-3363
Em: info@gnbvalves.com

Toll-Free: 1-800-398-8470

www.gnbvalves.com

Features:

- Body construction: 304 stainless steel or mild steel with copper chevrons
- Surface: glass bead-blast finish at exterior and interior
- Opening sizes: 3 -35 inches ASA flanges and larger per customer request
- Viton o-rings seals
- Option: grained or electropolished finish, CFF, ISO or special flanges



Technical Data:

- Leak rate: $<1.0 \times 10^{-9}$ std.atm.cc/sec of helium
- Vacuum rating: 1×10^{-7} Torr (1.3×10^{-7} mbar)
- Mounting position: horizontal or vertical must Specify at time of order

Model	Flange Dimension - Inches[mm]						Lnt Dimensions - Inches [mm]				Reservoir	Approx
	Opening ID	With	O-Ring Groove	Bolt Circle	Hole Size	Hole Size	A	B	C	D	Volume Liters	WT (lb)
			ID x C/S		E	F						
LNT-3	3.00 [76.2]	7.50 [190.5]	3.50 [88.9] x1/8	4.75 [120.7]	(4) 5/8-11	(4) .6 56 [16.7] Slots	16.13 [409.7]	19.88 [505.0]	6.00 [152.4]	5.75 [146.0]	4.94	60
LNT-4	4.00 [101.6]	9.00 [228.6]	5.25 [133.4] x1/4	7.50 [190.5]	(8) 5/8-11	(8) .7 5 [19.1] Slots	12.13 [308.1]	16.63 [422.4]	5.00 [127.0]	4.20 [106.7]	2.65	60
LNT-8	8.00 [203.2]	13.50 [342.9]	8.50 [215.9] x1/4	11.75 [298.5]	(8) 3/4-10	(8) .7 81 [19.8] Ttru	16.31 [414.3]	23.06 [585.8]	5.00 [127.0]	7.88 [200.0]	5.71	80
LNT-10D	12.00 [304.8]	16.00 [406.4]	12.50 [317.5] x1/4	14.25 [362.0]	(12) 7/8-9	(12) .7 906 [23.0] Ttru	23.75 [603.2]	31.75 [806.4]	5.00 [127.0]	7.88 [200.0]	9.86	140
LNT-12	12.00 [304.8]	19.00 [482.6]	13.25 [336.6] x1/4	17.00 [431.8]	(12) 7/8-9	(12) .7 906 [23.0] Ttru	23.75 [603.2]	33.25 [844.5]	5.00 [127.0]	7.88 [200.0]	9.86	140
LNT-16	16.00 [406.4]	23.50 [596.9]	16.56 [427.7] x1/4	21.25 [539.8]	(16) 1-8	(16) .7 1.03 [26.2] Ttru	30.00 [762.0]	41.75 [1060.5]	7.06 [179.4]	8.41 [213.5]	17.70	180
LNT-20	20.00 [508.0]	27.50 [698.5]	20.56 [522.2] x3/8	25.00 [635.0]	(20) 1.125-7	(20) .7 1.25 [31.8] Ttru	28.00 [711.2]	41.75 [1060.5]	7.00 [177.8]	11.00 [279.4]	28.70	385
LNT-35	35.00 [889.0]	41.75 [1060.5]	35.50 [901.7] x3/8	38.50 [977.9]	(28) 3/4-10	(28) .7 88 [22.4] Ttru	46.31 [1176.3]	67.19 [1706.5]	7.00 [177.8]	12.00 [304.8]	59.00	1300

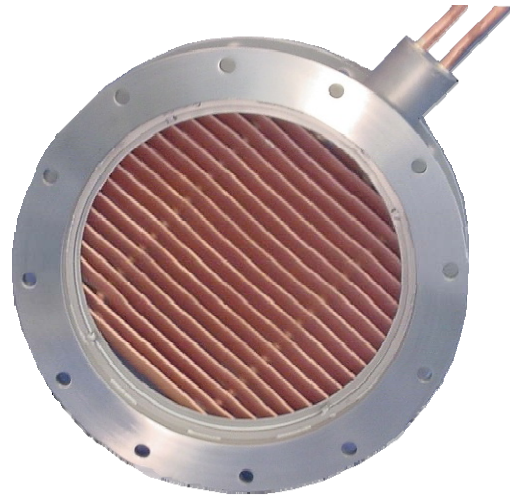
Many custom features available. Contact GNB for details.

www.gnbvalves.com

GNB
VACUUM EXCELLENCE DEFINED

Multi-coolant Baffles

GNB designs multi-coolant baffles with or without flanges for durability, performance. Choose from standard sizes and features as shown, or contact us for custom options.



***High Vacuum
Baffles
High efficiency
Low Maintenance***

GNB Corporation
3200 Dwight Road Suite 100
Elk Grove, California 95758
Phone: (916) 395-3003
Fax: (916) 395-3363
Email: info@gnbvalves.com

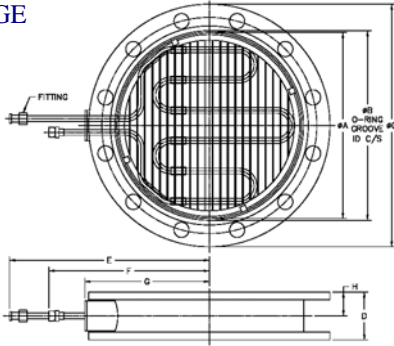
Toll-Free: 1-800-398-8470

www.gnbvalves.com

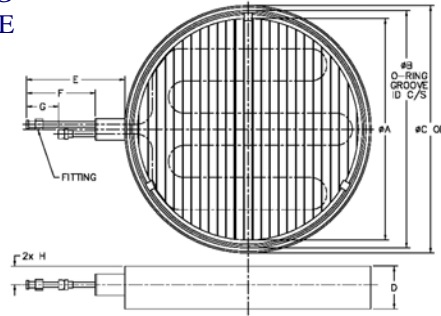
Features:

- Body construction: 304 stainless steel with copper chevrons
- Surface: glass bead-blast finish at exterior and interior
- Opening sizes: 6.0 – 35.0 inches ASA flanges and larger per customer request
- Viton o-rings seals,
- Leak rate: $<1.0 \times 10^{-9}$ std.atm.cc/sec with helium, vacuum rating: 1×10^{-7} Torr (1.3×10^{-7} mbar)

FLANGE
TYPE



RING
TYPE



Flange	Flange Style - Inches [mm]				Baffle Dimensions - Inches [mm]							Approx
Model	Open- ing ID A	O-ring Groove ID B x C/ S	Bolt Circle	Hole Size	C	D	E	F	G	H	Fitting	WT (lb)
MCB-6D	7.50 [190.5]	8.00 [203.2] x3/16	9.50 [241.3]	.78 [19.8]	11.00 [279.4]	3.29 [83.6]	12.00 [304.8]	9.00 [228.6]	7.00 [177.8]	1.65 [41.8]	3/8 VCR	30
MCB-8	8.00 [203.2]	9.25 [235.0]x1/4	11.75 [298.5]	.78 [19.8]	13.50 [342.9]	3.50 [88.9]	12.00 [304.8]	9.00 [228.6]	7.00 [177.8]	1.65 [41.8]	3/8 PARKER	40
MCB-10 (ISO 250)	10.28 [261.1]	--	12.205 [310.0]	.44 [11.0]	13.189 [335.0]	3.63 [92.2]	13.25 [336.6]	10.63 [270.0]	8.17 [207.5]	1.61 [41.0]	3/8 NPTF	40
MCB-10D	12.25 [311.1]	12.50 [317.5]x1/4	14.25 [362.0]	1.00 [25.4]	16.00 [406.4]	3.15 [80.0]	13.25 [336.6]	10.63 [270.0]	8.25 [209.6]	1.57 [40.0]	3/8 PARKER	50
MCB-12	12.25 [311.1]	12.50 [317.5] x3/16	17.00 [431.8]	.88 [22.4]	19.00 [482.6]	2.88 [73.0]	13.25 [336.6]	10.65 [270.5]	8.25 [209.6]	1.45 [37.0]	3/8 VCR	50
MCB-20D	21.75 [552.5]	22.12 [561.9]x1/4	25.00 [635.0]	1.25 [31.8]	27.50 [698.5]	3.94 [100.1]	20.75 [527.1]	17.75 [450.9]	14.25 [362.0]	1.75 [44.3]	1/2 PARKER	90

Ring Type	Baffle Dimension-Inches [mm]									Approx
Model	Open- ing ID A	B O-ring Groove ID x C/S	OD C	D	E	F	G	H	Fitting	WT (lb)
MCB-6D	7.50 [190.5]	8.00 [203.2] x1/8	8.50 [215.9]	2.82 [71.5]	7.75 [196.9]	5.00 [127.0]	3.00 [76.2]	1.40 [35.4]	3/8 VCR	30
MCB-8	8.00 [203.2]	8.15 [207.0] x1/8	8.63 [219.1]	2.63 [66.7]	7.69 [195.3]	5.00 [127.0]	3.00 [76.2]	1.30 [32.9]	3/8 PARKER	30
MCB-12	12.25 [311.2]	12.50 [317.5]x3/16	13.25 [336.6]	2.88 [73.0]	6.62 [168.3]	5.00 [127.0]	2.60 [66.0]	1.42 [36.1]	3/8 PARKER	50
MCB-16D	18.00 [457.2]	18.31 [465.2]x1/4	19.63 [498.6]	4.00 [101.6]	10.97 [278.6]	8.38 [212.8]	3.00 [76.2]	1.75 [44.3]	1/2 PARKER	92
MCB-20D	21.75 [552.5]	22.12 [561.9]x1/4	23.00 [584.2]	3.94 [100.1]	9.25 [235.0]	6.50 [165.1]	3.00 [76.2]	1.75 [44.3]	1/2 PARKER	90
MCB-24	24.00 [609.6]	25.06 [636.5]x1/4	26.00 [660.4]	3.94 [100.1]	9.25 [235.0]	6.25 [158.8]	2.75 [69.9]	1.75 [44.3]	1/2 VCR	150
MCB-32	32.50 [825.5]	32.81 [833.5]x1/4	33.75 [857.3]	5.25 [133.4]	8.50 [215.9]	6.50 [165.1]	2.00 [50.8]	2.38 [60.3]	1/2 PARKER	175
MCB-35	35.50 [901.7]	35.81 [909.6]x1/4	36.75 [933.5]	5.25 [133.4]	10.00 [254.0]	7.00 [177.8]	3.00 [76.2]	2.38 [60.3]	1/2 PARKER	310

Many custom features available. Contact GNB for details.

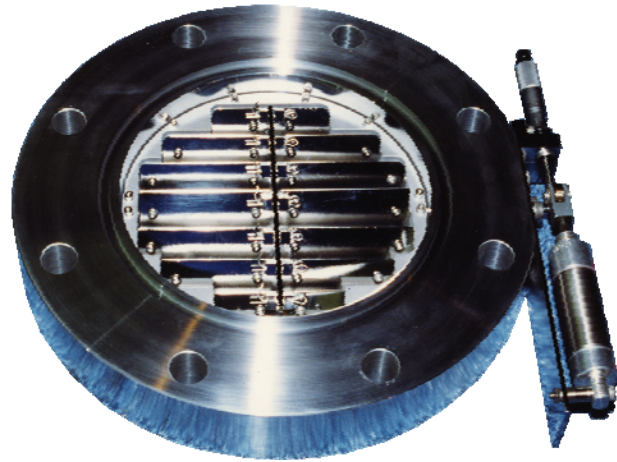
www.gnbvalves.com

GNB

VACUUM EXCELLENCE DEFINED

Variable Throttle Plates

GNB designs variable throttle plates for durability, performance and easy maintenance. Choose from standard sizes and features as shown, or contact us for custom options.



***High Vacuum
Variable Throttle Plate
High efficiency
Low Maintenance***

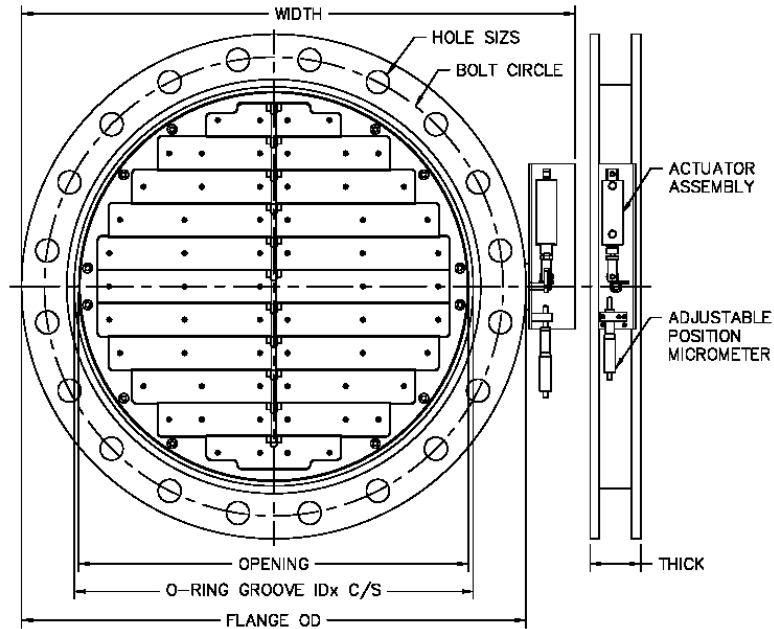
GNB Corporation
3200 Dwight Road Suite 100
Elk Grove, California 95758
Ph: (916) 395-3003
Fx: (916) 395-3363
Em: info@gnbvalves.com

Toll-Free: 1-800-398-8470

www.gnbvalves.com

Features:

- Body construction: 304 stainless steel
- Surface: glass bead-blast finish at exterior and interior
- Opening sizes: 8.0 – 35.0 inches ASA flanges and large per customer request
- Viton o-rings seals,
- Leak rate: $<1.0 \times 10^{-9}$ std.atm.cc/sec with Helium, vacuum rating: 1×10^{-7} Torr (1.3×10^{-7} mbar)



Throttle Plate Dimension-Inches [mm]								Approx
Model	Opening ID	O-ring Groove	Flange OD	Bolt Circle	Hole Size	Width	Thick	WT (lb)
		ID x C/S	C					
TP-8 (ISO 200)	8.39 [213.0]	--	11.22 [285.0]	10.236 [260.0]	(12) .43 [11.0]	13.63 [346.1]	2.34 [59.4]	50
TP-10 (ISO 250)	10.28 [261.0]	--	13.19 [335.0]	12.205 [310.0]	(12) 5/16-18	14.79 [375.6]	1.75 [44.5]	50
TP-16	16.00 [406.4]	18.50 [469.9] x3/8	23.50 [596.9]	21.25 [539.8]	(16) 1.13 [28.6]	25.57 [649.4]	2.75 [69.9]	100
TP-18	18.00 [457.2]	18.50 [469.9] x3/8	25.00 [635.0]	22.75 [577.9]	(16) 1.13 [28.6]	27.07 [687.6]	2.75 [69.9]	150
TP-20	21.25 [539.8]	21.75 [552.5] x3/8	27.50 [698.5]	25.00 [635.0]	(20) 1.25 [31.8]	30.18 [766.5]	2.75 [69.9]	120
TP-32 (ISO 800)	31.50 [800.1]	--	36.22 [920.0]	35.039 [890.0]	(24) .56 [14.2]	38.83 [986.3]	3.00 [76.2]	250
TP-35	35.00 [889.0]	36.50 [927.1] x3/8	41.75 [1060.5]	38.50 [977.9]	(28) .88 [22.4]	44.86 [1139.5]	3.00 [76.2]	200

Many custom features available. Contact GNB for details.

www.gnbvalves.com

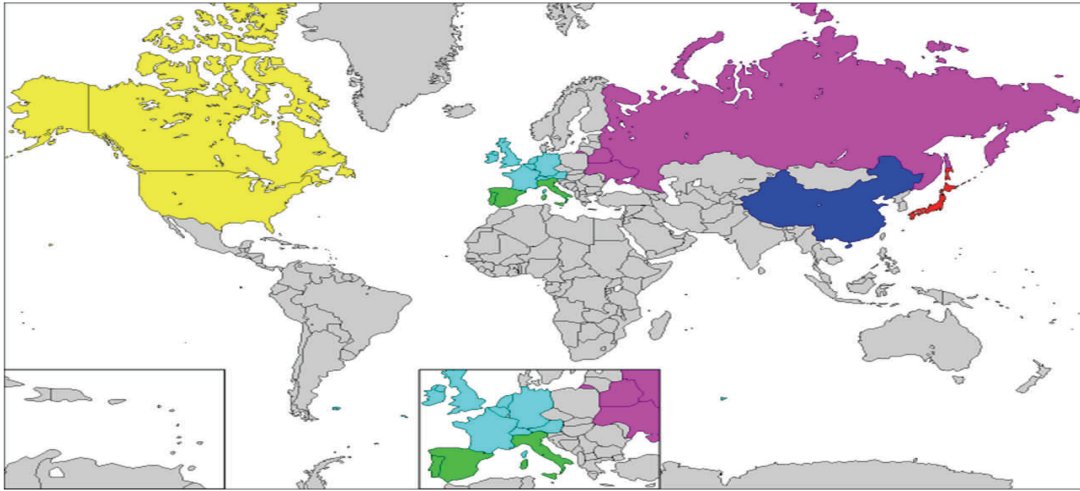
GNB

VACUUM EXCELLENCE DEFINED

GNB Corporation Headquarter

GNB Corporation
3200 Dwight Road Suite 100
Elk Grove, California 95758
Phone: (916) 395-3003
Fax: (916) 395-3363
Email: info@gnbvalves.com

www.gnbvalves.com



US Representatives:



Headquarters

6749 Elwood Road
San Jose, CA 95120
PH: 408.268.8966 FX: 408.268.8944
sales@ustechwest.com

Vacuum Solutions Group, Inc.

www.vacuumsolutions.com
Phone 877-822-8865



www.jfhurlbut.com

622 Gardenia Ct.
Golden, Colorado 80401
Phone 303-279-7797

ST Hitech Solutions

Sam Taylor
5310 Arrowhead Dr.
Granbury, TX 76048

Europe:

Germany:



www.veonis.com
Phone 49 (0) 89 800 85 0

France:



www.veonis.com
Phone 33 (0) 476634914

Italy, Spain, Portugal, Greece:



www.vaqtec.com
Phone 39 329 9451836

Poland:



www.gertner.com
Phone 49 2233 96314 Ext 23

Russia:

www.gertnergroup.de
Chasovava St. 23A
Moscow 125315, Russia
Phone 7 495 931 9645

Ukraine:

www.gertnergroup.de
Bul. Lesi Ukrainki, 14a k. 40
01133 Kiev, Ukraine
Phone 38 044 2357574

Asia:

China: 利方达真空 LeyFond Vacuum

www.levfond.com
D23C Majestic garden
6 Middle Beisihuan Road
Beijing 100029, China
Phone 86 10 82850089

联系人: 方立武
北京利方达真空技术有限责任公司
朝阳区北四环中路6号
华亭嘉园D座23C, 北京市100029

Taiwan:

www.junsun.com.tw
Junsun Tech Co., Ltd
D23C Majestic garden
7F 659 Chung-Cheng Road, Hsin
Chuang, Taipei County 242, Taiwan
Phone 886 2 2908 1350 Ext 20

* Viton is a registered trademark of the
Dupont Corporation



VACUUM EXCELLENCE DEFINED