

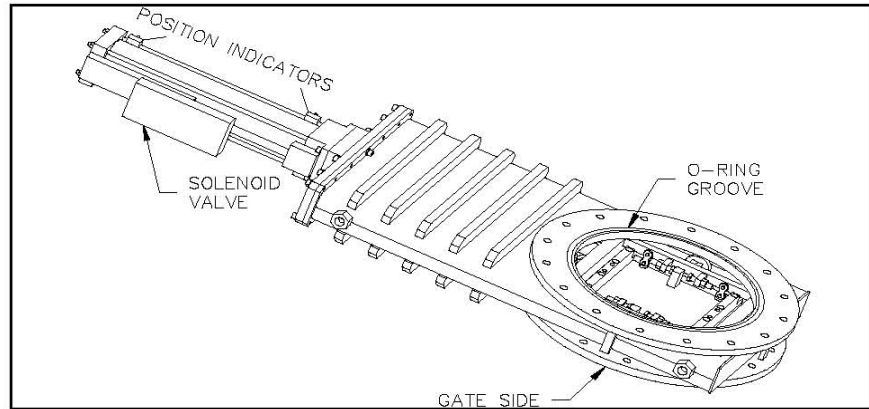
Ordering Information

The example shown is a **standard** GNB Corporation **gate valve** with :

- . 16 inch aperture clearance
- . Electro pneumatic actuation
- . 304 stainless steel composition
- . O-Ring shaft seal

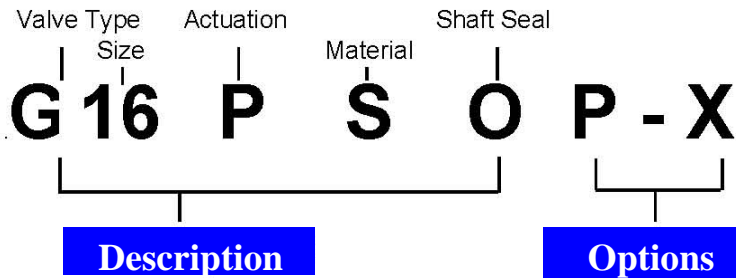
It has the following **options**:

- . Position indicators
- . O-Ring groove in the second flange



When ordering this valve, the GNB model number

becomes the following.....



Valve Type

- A** Angle
- G** Gate
- GL** Linkage gate
- HD** Heavy Duty gate
- P** Pendulum
- PM** Protective metal gate
- RA** Roughing angle
- RG** Roughing gate
- TA** Throttle angle
- TG** Throttle gate

- P** Position Indicator
- R** Roughing Port
- WG** Water cooled gate
- WB** Water cooled body
- WF** Water cooled flange
- BL** Body less

- X** For any of the following options:
Clean out ports
Second O-Ring groove
Flanges: ASA, ISO, CF, KF, ...
or Custom design

Size

Clearance aperture inches (nominal)

Actuation

- C** Pneumatic Side actuation
- E** Electric
- H** Hydraulic
- L** Side Lever
- P** Pneumatic
- W** Hand wheel

A complete written description of any options is required on all purchase orders.

Material

- A** Aluminum
- M** Mild steel
- S** 304 stainless steel

Shaft :

- B** Bellows
- O** O-Ring



VACUUM EXCELLENCE DEFINED

Smithers Quality Assessments, Inc.

CERTIFICATE OF APPROVAL

This is to Certify that the Quality Management System of:

GNB CORPORATION

*3200 Dwight Road
Elk Grove, California 95758*

*has been assessed and approved by Smithers Quality Assessments, Inc.,
to the following quality management system standards and requirements:*

ISO 9001:2000 with Design

The Quality Management System is Applicable to:

*The design and manufacture of vacuum related products
for Science and Industry.*

*Approval
Certificate Number: 08.323.1*

Original Approval: November 18, 2008

Current Certificate: November 18, 2008

Certificate Expires: November 17, 2011



The use of the accreditation mark indicates accreditation in respect of those activities covered by The Accreditation Certification Number 08.323.1.

[Signature]
on behalf of SQA - J. Michael Hochschwender, President

The approval is subject to the company maintaining its system to the required standards which will be monitored by Smithers Quality Assessments, Inc., 425 W. Market St., Akron, Ohio 44303-2099



Gate Valves ISO 100-320mm+

GNB designs gate valves for durability, performance, and value. Choose from standard sizes and features as shown, or contact us for custom options.

***High Vacuum
Gate Valves
Reliable Cycle Life
Low Maintenance***



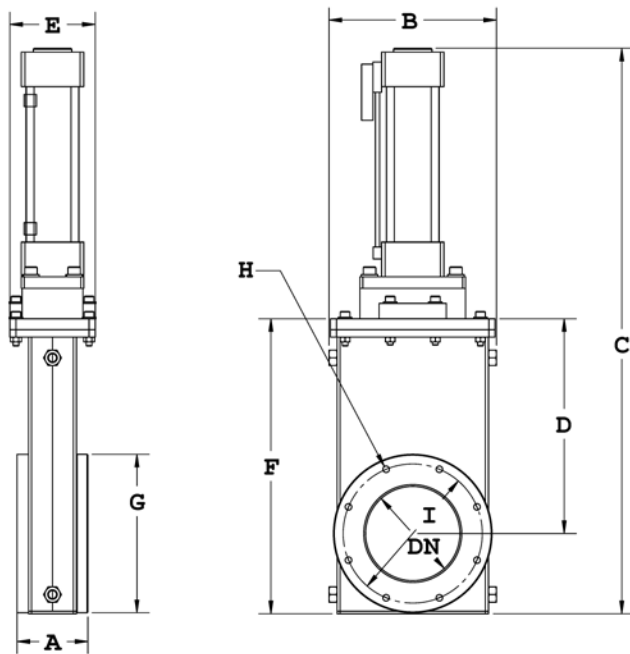
GNB Corporation
3200 Dwight Road Suite 100
Elk Grove, California 95758
Phone: (916) 395-3003
Fax: (916) 395-3363
Email: info@gnbvalves.com

Toll-Free: 1-800-398-8470

www.gnbvalves.com

Features:

- Valve body/gate construction: 304L stainless steel
- Electropolished surface finish interior and exterior
- Opening sizes: 100mm - 320mm bolted ISO flanges
- Dual o-ring sealed linear electro-pneumatic actuation—100,000 cycles minimum before first maintenance
- 24V DC solenoid fails closed upon loss of power
- Magnetic position indicators
- Viton o-rings at gate, bonnet, and shaft
- Designed for reliable operation even in industrial environments



Technical Data:

- Leak rate: $<1 \times 10^{-9}$ std.atm.cc/sec helium
- Vacuum rating: 1×10^{-7} Torr (1.3×10^{-7} mbar)
- Positive pressure rating: 1.5 atm (1.47 bar)
- Differential pressure at gate: ≤ 1.5 atm (1.47 bar) in either direction
- Temperature range: $\leq +400^{\circ}\text{F}$ (200°C)
- Mounting position: any
- Solenoid: 24V DC
- Air pressure required: 80-120 psig (5.5–8.3 bar)

Model	DN mm/in	A mm/in	B mm/in	C mm/in	D mm/in	E mm/in	F mm/in	G mm/in	H qty/size	I mm/in	WT kg/lb	Price (USD)
G(ISO100)PSOP	97.38/ 3.83	73.81/ 2.91	171.45/ 6.75	585.22/ 23.04	223.84/ 8.81	88.90/ 3.50	307.47/ 12.11	165.00/ 6.50	8-M8	145.0/ 5.71	12.43/ 27.41	\$2000
G(ISO160)PSOP	148.18/ 5.83	91.11/ 3.59	241.30/ 9.50	766.54/ 30.18	318.08/ 12.52	104.78/ 4.13	430.21/ 16.94	225.00/ 8.86	8-M10	200.0/ 7.87	22.90/ 50.50	\$2500
G(ISO200)PSOP	197.10/ 7.76	99.75/ 3.93	311.15/ 12.25	899.68/ 35.42	378.78/ 14.91	117.48/ 4.63	521.27/ 20.52	285.00/ 11.22	12-M10	260.0/ 10.24	38.80/ 85.56	\$3400
G(ISO250)PSOP	261.00/ 10.28	106.52/ 4.19	393.70/ 15.50	1135.46/ 44.70	479.43/ 18.88	114.30/ 4.50	663.58/ 26.13	368.30/ 14.50	12-M10	310.0/ 12.20	61.62/ 135.85	\$5600
G(ISO320)PSOP	305.56/ 12.03	113.54/ 4.47	435.10/ 17.13	1259.21/ 49.58	547.62/ 21.56	114.30/ 4.50	760.74/ 29.95	424.94/ 16.73	12-M12	395.0/ 15.55	77.10/ 170.0	\$7000

Many custom features available. Contact GNB for details.

www.gnbvalves.com

GNB

VACUUM EXCELLENCE DEFINED

GNB designs gate valves for durability, performance, and value. Choose from standard sizes and features as shown, or contact us for custom options.

***High Vacuum
Gate Valves
Reliable Cycle Life
Low Maintenance***



GNB Corporation
3200 Dwight Road Suite 100
Elk Grove, California 95758
Ph: (916) 395-3003
Fx: (916) 395-3363
Em: info@gnbvalves.com

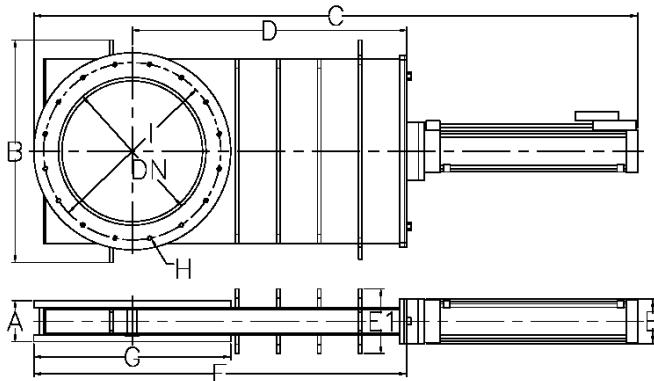
Toll-Free: 1-800-398-8470

www.gnbvalves.com

Features:

- Valve body/gate construction: stainless steel or mild steel
- Surface: glass bead-blast finish at exterior and interior or paint exterior
- Opening sizes: ISO 400 – 1320 mm + flanges and larger per customer request
- Dual o ring seal shaft 100,000 cycles minimum before first maintenance under clean vacuum conditions
- Actuator: electro pneumatic, (option electric). solenoid voltage 24V DC / 110V AC/ 220V AC
- Magnetic position indicators
- Viton o-rings at flange, gate and bonnet
- Options: grained or electropolished finish, bellows sealed up to 1 million cycles

Technical Data:



- Leak rate: $<1.0 \times 10^{-9}$ std.atm. cc/sec of helium
- Vacuum rating: 1.0×10^{-7} Torr (1.3×10^{-7} mbar)
- Positive pressure rating: 1atm (1 bar)
- Temperature range: $\leq +392^{\circ}\text{F}$ ($+200^{\circ}\text{C}$)
W/O Actuator
- Mounting position: any
- Air pressure required: 80-120 psig (5.5 bar- 8.3 bar)

Model	DN mm/ in	A mm/ in	B mm/ in	C mm/ in	D mm/ in	E mm/ in	E ₁ * mm/ in	F mm/ in	G mm/ in	H qt/ size	I mm /in	WT Kg/ lb
G(400)P	400/ 15.8	114/ 4.5	605/ 23.8	1636/ 64.4	743/ 29.3	122/ 4.8	177/ 7.0	1010/ 39.8	533/ 21.0	16x M12	479/ 18.8	182/ 400
G(500)P	501/ 19.7	165/ 6.5	704/ 27.7	2046/ 80.5	912/ 35.9	152/ 6.0	212/ 8.3	1262/ 49.7	699/ 27.5	16x M12	580/ 22.8	264/ 580
G(630)P	610/ 24.0	165/ 6.5	907/ 35.7	2282/ 89.9	1029/ 40.5	152/ 6.0	239/ 9.4	1435/ 56.5	813/ 32.0	20x M12	720/ 28.3	600/ 1320
G(800)P	800/ 31.5	208/ 8.2	1249/ 49.2	3282/ 129.2	1550/ 61.1	203/ 8.0	343/ 13.5	2111/ 83.1	1120/ 44.1	24x M12	890/ 35.0	886/ 1950
G(1000)P	1000/ 39.4	218/ 8.6	1351/ 53.2	3644/ 143.5	1730/ 68.1	216/ 8.5	348/ 13.7	2344/ 92.3	1232/ 48.5	32x M12	1090/ 42.9	1091/ 2400
G(1250)P	1250/ 49.2	269/ 10.6	1712/ 67.4	4643/ 182.8	2231/ 87.9	260/ 10.3	447/ 17.6	3033/ 119.4	1600/ 63.1	32x M16	1370/ 54.0	2659/ 5850
G(1320)P	1320/ 52.1	269/ 10.6	1712/ 67.4	4643/ 182.8	2231/ 87.9	260/ 10.3	447/ 17.6	3033/ 119.4	1600/ 63.1	22x M18	1420/ 56.0	2845/ 6200

Many custom features available. Contact GNB for details.

www.gnbvalves.com

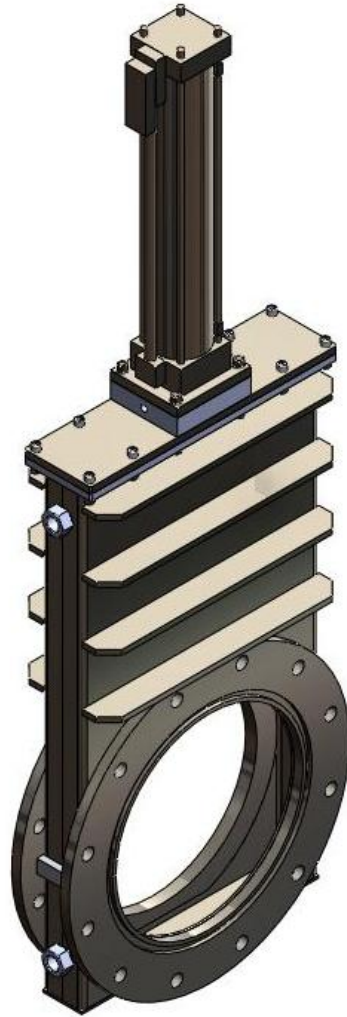
GNB

VACUUM EXCELLENCE DEFINED

Gate Valves ASA 14 –20

GNB designs gate valves for durability, performance, and value. Choose from standard sizes and features as shown, or contact us for custom options.

***High Vacuum
Gate Valves
Reliable Cycle Life
Low Maintenance***



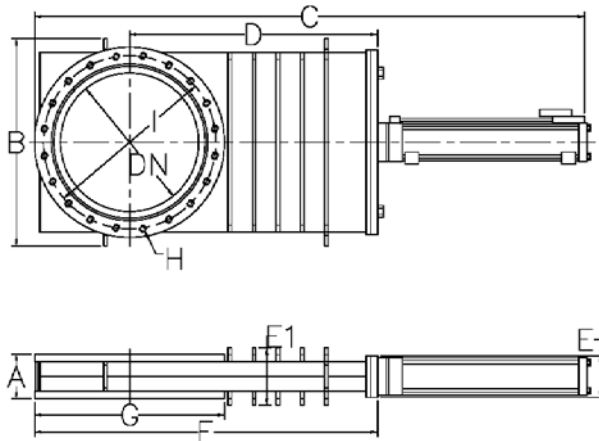
GNB Corporation
3200 Dwight Road Suite 100
Elk Grove, California 95758
Ph: (916) 395-3003
Fx: (916) 395-3363
Em: info@gnbvalves.com

Toll-Free: 1-800-398-8470

www.gnbvalves.com

Features:

- Valve body/gate construction: 304 stainless steel or mild steel
- Surface: glass bead-blast finish at exterior and interior or paint exterior
- Opening sizes: ASA14 — 20 flanges and large per customer request
- Dual o-ring seal shaft, 100,000 cycles minimum before first maintenance under clean vacuum conditions
- Actuator: electro pneumatic, (option Electric), Solenoid voltage 24V DC / 110V AC/ 220V AC
- Magnetic position indicators
- Viton o-rings at flange, poppet and bonnet
- Options: grained or electropolished finish, bellow sealed up to 1 million cycles



Technical Data:

- Leak rate: $<1.0 \times 10^{-9}$ std.atm.cc/sec of helium
- Vacuum rating: 1×10^{-7} Torr (1.3×10^{-7} mbar)
- Positive pressure rating: 1atm (1 bar)
- Temperature range: $\leq +392^{\circ}\text{F}$ ($+200^{\circ}\text{C}$)
W/O Actuator
- Mounting position: any
- Air pressure required: 80-120 psig (5.5 bar-8.3 bar)

Model	DN mm/ in	A mm/ in	B mm/ in	C mm/ in	D mm/ in	E mm/ in	E ₁ * mm/ in	F mm/ in	G mm/ in	H mm/ in	I mm/ in	WT Kg/lb
G14P	355.6/ 14.0	109.2/ 4.3	487.7/ 19.2	1516.4/ 59.7	673.1/ 26.6	127/ 5.0	137.2/ 5.4	942.3/ 37.1	533.4/ 21.0	12x 1-8	477.5/ 18.8	172.3/ 380
G16P	406.4/ 16.0	114.3/ 4.5	604.5/ 23.8	1638.3/ 64.5	744.2/ 29.3	121.9/ 4.8	175.3/ 6.9	1041.4/ 41.0	596.9/ 23.5	16x 1-8	541.0/ 21.3	181.4/ 400
G18P	457.2/ 18.0	152.4/ 6	619.8/ 24.4	1839.0/ 72.4	835.7/ 32.9	147.3/ 5.8	205.7/ 8.1	1153.2/ 45.4	635.0/ 25.0	16x 1.125-7	577.9/ 22.75	263.1/ 580
G20P	508.0/ 20.0	165.1/ 6.5	713.7/ 28.1	2032.0/ 80.0	911.7/ 35.9	155.4/ 6.1	210.8/ 8.3	1262.4/ 49.7	698.5/ 27.5	20x 1-8	635.0/ 25.0	263.1/ 580
G20DP	539.75/ 21.25	165.1/ 6.5	713.7/ 28.1	2032.0/ 80.0	911.7/ 35.9	155.4/ 6.1	210.8/ 8.3	1262.4/ 49.7	698.5/ 27.5	20x 1-8	635.0/ 25.0	263.1/ 580

Many custom features available. Contact GNB for details.

www.gnbvalves.com

GNB

VACUUM EXCELLENCE DEFINED

GNB designs gate valves for durability, performance, and value. Choose from standard sizes and features as shown, or contact us for custom options.

***High Vacuum
Gate Valves
Reliable Cycle Life
Low Maintenance***

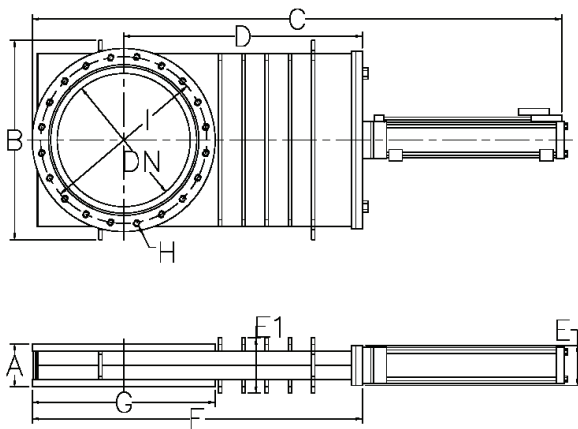


GNB Corporation
3200 Dwight Road Suite 100
Elk Grove, California 95758
Ph: (916) 395-3003
Fx: (916) 395-3363
Em: info@gnbvalves.com

Toll-Free: 1-800-398-8470

Features:

- Valve body/gate construction: 304 stainless steel or mild steel
- Surface: glass bead-blast finish at exterior and interior or paint exterior
- Opening sizes: ASA 24 —52 flanges and large per customer request
- Dual o- ring seal shaft, 100,000 cycles minimum before first maintenance
- Actuator: electro pneumatic, option: electric, solenoid voltage 24V DC / 110V AC/ 220V AC
- Magnetic position indicators
- Viton o-rings at flange, poppet and bonnet
- Options: grained or electropolished finish. Bellow sealed up to 1 million cycles



Technical Data:

- Leak rate: $<1.0 \times 10^{-9}$ std.atm.cc/sec of helium
- Vacuum rating: 1×10^{-7} Torr (1.3×10^{-7} mbar)
- Positive pressure rating: 1atm (1 bar)
- Temperature range: $\leq +400^\circ\text{F}$ ($+200^\circ\text{C}$)
W/O actuator
- Mounting position: any
- Air pressure required: 80-120 psig (5.5 bar-8.3 bar)

Model	DN mm/ in	A mm/ in	B mm/ in	C mm/ in	D mm/ in	E mm/ in	E ₁ * mm/ in	F mm/ in	G mm/ in	H qt/ size	I mm/ in	WT Kg/ lb
G24P	609.6/ 24.0	165.1/ 6.5	899.2/ 35.4	2286/ 90	1026.2/ 40.4	175.3/ 6.9	236.2/ 9.3	1432.6/ 56.4	812.8/ 32.0	20x 1.25-7	749.3/ 29.5	580.5/ 1280
G30P	762.0/ 30.0	203.2/ 8.0	1094.7/ 43.1	2898.1/ 114.1	1361.4/ 53.6	203.2/ 8.0	342.9/ 13.5	1854.2/ 73.0	984.3/ 38.8	28x 1.25-7	914.4/ 36.0	884.5/ 1950
G36P	914.4/ 36.0	218.4/ 8.6	1264.9/ 49.8	3342.6/ 131.6	1569.7/ 61.8	221.0/ 8.7	355.6/ 14.0	2141.2/ 84.3	1168.4/ 46.0	32x 1.50-6	1085.9 / 42.8	1065.9 / 2350
G40P	1016.0 / 40.0	218.4/ 8.6	1348.7/ 53.1	3665.2/ 144.3	1729.7/ 68.1	221.0/ 8.7	355.6/ 14.0	2372.4/ 93.4	1289.1/ 50.8	16x 1-8	1200.2 / 47.3	1424.2 / 3150
G48P	1219.2 / 48.0	269.2/ 10.6	1638.3/ 64.5	4366.3/ 171.9	2085.3/ 82.1	264.2/ 10.4	370.8/ 14.6	2788.9/ 109.8	1498.6/ 59.0	24x 1.50-6	1422.4 / 56.0	2290.6 / 5050
G52P	1320.8 / 52.0	269.2/ 10.6	1709.4/ 67.3	4620.3/ 181.9	2214.9/ 87.2	264.2/ 10.4	447.0/ 17.6	2984.5/ 117.5	1498.6/ 59.0	22x 1.75-10	1422.4 / 56.0	2766.9 / 6100

Many custom features available. Contact GNB for details.

www.gnbvalves.com

GNB
VACUUM EXCELLENCE DEFINED