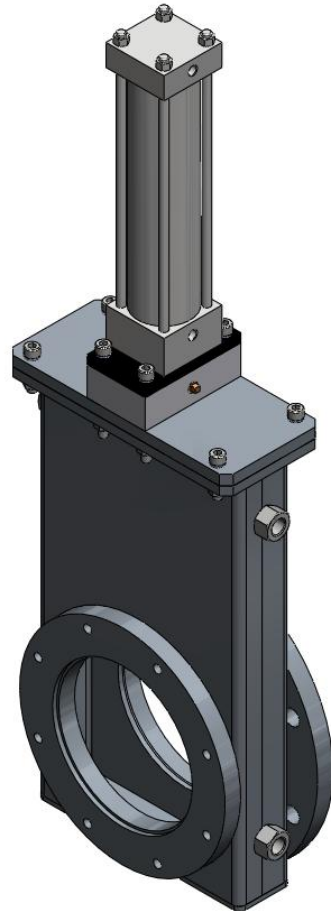


# Adapter Flange Gate Valves

GNB designs gate valves for durability, performance, and value. Choose from standard sizes and features as shown, or contact us for custom options.

***High Vacuum  
Gate Valves  
Reliable Cycle Life  
Low Maintenance***



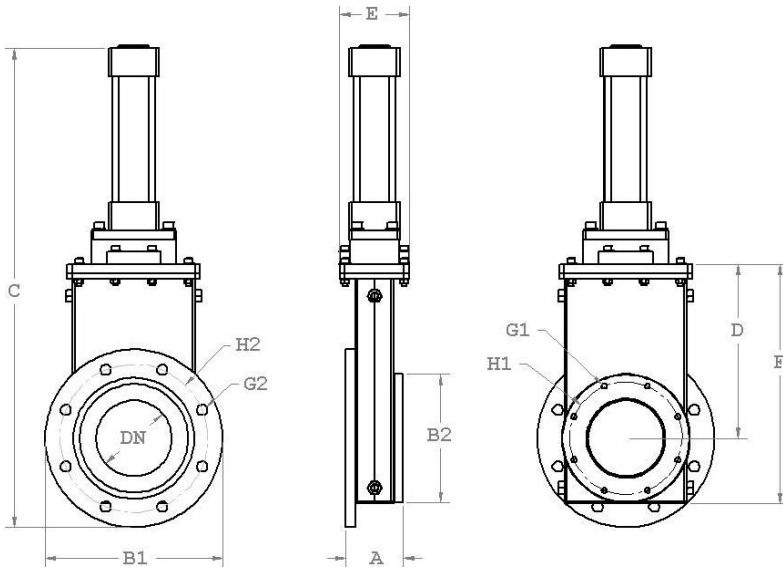
GNB Corporation  
3200 Dwight Road Suite 100  
Elk Grove, California 95758  
Phone: (916) 395-3003  
Fax: (916) 395-3363  
Email: [info@gnbvalves.com](mailto:info@gnbvalves.com)

**Toll-Free: 1-800-398-8470**

[www.gnbvalves.com](http://www.gnbvalves.com)

## Features:

- Designed to adapt between ASA & ISO flanges
- Valve body/gate construction: 304L stainless steel
- Opening sizes: 100mm - 320mm bolted ASA and ISO flanges
- Dual o-ring sealed linear electro-pneumatic actuation—100,000 cycles minimum before first maintenance
- 24V DC solenoid fails closed upon loss of power
- Magnetic position indicators
- Viton o-rings at gate, bonnet, and shaft
- Designed for reliable operation even in industrial environments



## Technical Data:

- Leak rate:  $<1 \times 10^{-9}$  std.atm.cc/sec helium
- Vacuum rating:  $1 \times 10^{-7}$  Torr (  $1.3 \times 10^{-7}$  mbar )
- Positive pressure rating: 1.5 atm ( 1.47 bar )
- Differential pressure at gate:  $\leq 1.5$ atm ( 1.47 bar ) in either direction
- Temperature range:  $\leq +400^\circ\text{F}$  (  $200^\circ\text{C}$  )
- Mounting position: any
- Solenoid: 24V DC
- Air pressure required: 80-120 psig ( 5.5– 8.3 bar )

Model	DN (mm/ in)	A (mm/ in)	B1 (mm/ in)	B2 (mm/ in)	C (mm/ in)	D (mm/ in)	E (mm/ in)	F (mm/ in)	G1	G2	H1 (mm/ in)	H2 (mm/ in)	WT (kg/ lbs)
G(ASA-ISO100) PSOP	100/ 3.94	74 / 2.9	229/ 9.0	165 / 6.50	616/ 24.3	224/ 8.8	89/ 3.5	307/ 12.1	8- M8	8X 5/8-11	145/ 5.7	191/ 7.5	14/ 32
G(ASA-ISO160) PSOP	150/ 5.91	91 / 3.6	280/ 11.0	225 / 8.9	785/ 30.9	318/ 12.5	105/ 4.1	430/ 16.9	8- M10	8X 3/4-10	200/ 7.9	241/ 9.5	26/ 57
G(ASA-ISO200) PSOP	200/ 7.87	100/ 3.9	343/ 13.5	285 / 11.2	919/ 36.2	379/ 14.9	117/ 4.6	521/ 20.5	12- M10	8X 3/4-10	260/ 10.2	298/ 11.8	47/ 103
G(ASA-ISO250) PSOP	260/ 10.24	107 / 4.2	406/ 16.0	368 / 14.5	1181/ 46.5	479/ 18.9	114/ 4.5	664/ 26.1	12- M10	12X 7/8-9	310/ 12.2	311/ 12.3	67/ 147
G(ASA-ISO320) PSOP	320/ 12.60	114 / 4.5	483/ 19.0	425 / 16.7	1288/ 50.7	548/ 21.6	114/ 4.5	761/ 30.0	12- M12	12X 3/4-10	395/ 15.6	432/ 17.0	89/ 196

Many custom features available. Contact GNB for details.

[www.gnbvalves.com](http://www.gnbvalves.com)

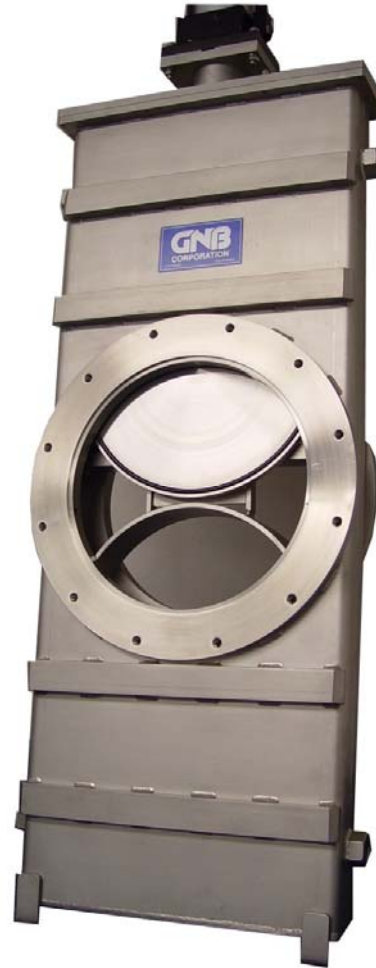
**GNB**

VACUUM EXCELLENCE DEFINED

# PMG Gate Valves

GNB designs Protective Metal Gate (PMG) Valves for durability, performance, and value. Choose from standard sizes and features as shown, or contact us for custom options.

***High Vacuum  
PMG Gate Valves  
Reliable Cycle Life  
Low Maintenance***



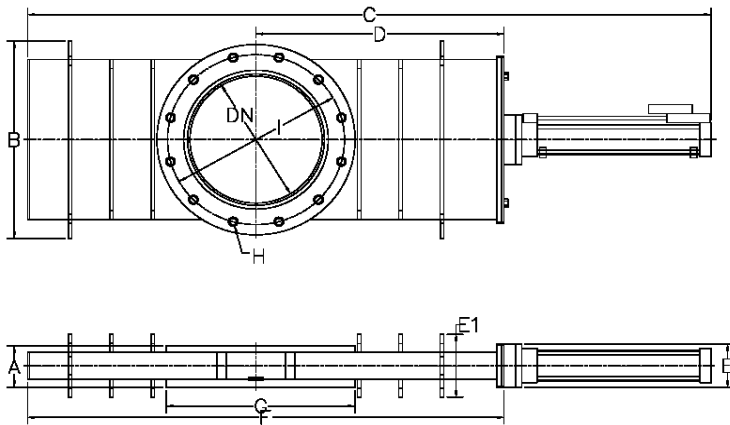
GNB Corporation  
3200 Dwight Road Suite 100  
Elk Grove, California 95758  
Ph: (916) 395-3003  
Fx: (916) 395-3363  
Em: [info@gnbvalves.com](mailto:info@gnbvalves.com)

**Toll-Free: 1-800-398-8470**

[www.gnbvalves.com](http://www.gnbvalves.com)

## Features:

- Valve body/gate construction: 304 stainless steel or mild steel
- Surface: glass bead-blast finish at exterior and interior or paint exterior
- Opening sizes: ASA 6- 52 flanges and large per customer request
- Dual o- ring seal shaft, 100,000 cycles minimum before first maintenance
- Actuator: electro pneumatic, option: electric, solenoid voltage 24V DC / 110V AC/ 220V AC
- Magnetic position indicators
- Viton o-rings at flange, gate and bonnet
- Options: grained or electropolished finish. Bellow sealed up to 1 million cycles



## Technical Data:

- Leak rate:  $<1.0 \times 10^{-9}$  std.atm.cc/sec of helium
- Vacuum rating:  $1 \times 10^{-7}$  Torr ( $1.3 \times 10^{-7}$  mbar )
- Positive pressure rating: 1atm ( 1 bar )
- Temperature range:  $\leq +400^{\circ}\text{F}$  ( $+200^{\circ}\text{C}$ )  
W/O actuator
- Mounting position: any
- Air pressure required: 80-120 psig ( 5.5 bar- 8.3 bar )

Model	DN mm/in	A mm/in	B mm/in	C mm/in	D mm/in	E mm/in	E1 mm/in	F mm/in	G mm/in	H qt/ Size	I mm/in	Wt. Kg / lb
PMG6P	178 / 7.0	90 / 3.6	305 / 12.0	989 / 38.9	327 / 12.9	89 / 3.5	95 / 3.8	640 / 25.2	304 / 12.0	( 8 ) 3/4-10	241 / 9.5	59 / 130
PMG8P	203 / 8.0	110 / 4.3	343 / 13.5	1406 / 55.3	648 / 25.5	108 / 4.3	105 / 4.1	1028 / 40.5	343 / 13.5	( 8 ) 3/4-10	299 / 11.8	77 / 170
PMG12P*	305 / 12.0	115 / 4.5	451 / 17.8	1630 / 64.2	540 / 21.3	114 / 4.5	107 / 4.2	1061 / 41.8	425 / 16.7	( 12 ) 7/16-14	395 / 15.6	159 / 350
PMG14P	356 / 14.0	117 / 4.6	554 / 21.8	1839 / 72.4	667 / 26.3	121 / 4.8	176 / 6.9	1282 / 50.5	533 / 21.0	( 12 ) 1-8	476 / 18.8	204 / 450
PMG20P	508 / 20.0	188 / 7.4	743 / 29.3	2788 / 109.8	1099 / 43.3	172 / 6.8	219 / 8.6	2022 / 79.6	699 / 27.5	( 20 ) 1.125-7	635 / 25.0	703 / 1550
PMG24P	610 / 24.0	258 / 10.2	1029 / 40.5	3686 / 145.1	1495 / 58.9	241 / 9.5	254 / 10.0	2715 / 106.9	927 / 36.5	( 20 ) 7/8-9	749 / 29.5	1814 / 4000
PMGG52P	1321 / 52.0	308 / 12.1	1930 / 76.0	6335 / 249.4	2500 / 98.4	311 / 12.3	524 / 20.6	4690 / 184.7	1664 / 65.5	( 24 ) 1.25-7	1473 / 58.0	5443 / 12000

Many custom features available. Contact GNB for details.

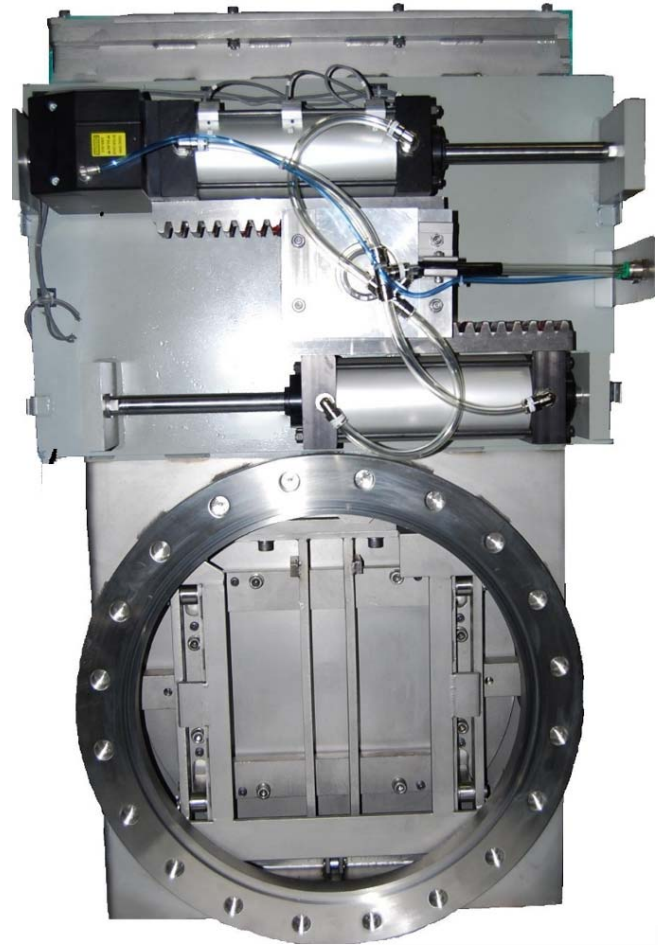
[www.gnbvalves.com](http://www.gnbvalves.com)

**GNB**  
VACUUM EXCELLENCE DEFINED

# Gate Valves C-Style

GNB designs C-Style Gate Valves for durability, performance, and value. Choose from standard sizes and features as shown, or contact us for custom options.

***High Vacuum  
C-Style Gate Valves  
Reliable Cycle Life  
Low Maintenance***



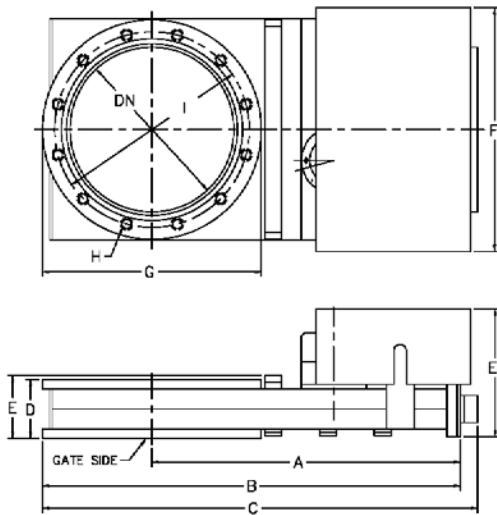
GNB Corporation  
3200 Dwight Road Suite 100  
Elk Grove, California 95758  
Ph: (916) 395-3003  
Fx: (916) 395-3363  
Em: info@gnbvalves.com

**Toll-Free: 1-800-398-8470**

[www.gnbvalves.com](http://www.gnbvalves.com)

## Features:

- Valve body/gate construction: 304 stainless steel or mild steel
- Surface: glass bead-blast finish at exterior and interior or paint exterior
- Opening sizes: ASA 6 — 35 flanges and large per customer request
- Dual o-ring seal shaft, 100,000 cycles minimum before first maintenance under clean vacuum conditions
- Actuator: electro pneumatic, ( option Electric ), Solenoid voltage 24V DC / 110V AC/ 220V AC
- Magnetic position indicators
- Viton o-rings at flange, gate and bonnet
- Options: grained or electropolished finish, bellow sealed up to 1 million cycles



## Technical Data:

- Leak rate:  $<1.0 \times 10^{-9}$  std.atm.cc/sec of helium
- Vacuum rating:  $1 \times 10^{-7}$  Torr (  $1.3 \times 10^{-7}$  mbar )
- Positive pressure rating: 1atm ( 1 bar )
- Temperature range:  $\leq +392^{\circ}\text{F}$  (  $+200^{\circ}\text{C}$  )  
W/O Actuator
- Mounting position: any
- Air pressure required: 80-120 psig ( 5.5 bar- 8.3 bar )

Model	DN mm/in	A mm/in	B mm/in	C mm/in	D mm/in	E mm/in	E1 mm/in	F mm/in	G mm/in	H qt/size	I mm/in	WT Kg / lbs.
G6DC	181 / 7.13	330 / 13.0	469 / 18.5	556 / 21.9	111 / 4.4	111 / 4.4	172 / 6.8	311 / 12.3	279 / 11.0	(8) 3/4-10	241 / 9.5	30 / 66
G8C	203 / 8.00	420 / 16.6	592 / 23.3	624 / 24.6	107 / 4.2	107 / 4.2	215 / 8.5	347 / 13.7	343 / 13.5	(8) 3/4-10	299 / 11.8	70 / 154
G10DC	304 / 12.00	573 / 22.6	776 / 30.6	808 / 31.8	109 / 4.3	117 / 4.6	236 / 9.3	451 / 17.8	406 / 16.0	(12) 7/8-9	362 / 14.3	68 / 150
G18C	457 / 18.00	865 / 34.1	1183 / 46.6	1183 / 46.6	168 / 6.6	168 / 6.6	310 / 12.2	656 / 25.8	635 / 25.0	(16) 1.125-7	578 / 22.8	399 / 878
G20DC	536 / 21.12	297 / 36.5	1246 / 49.1	1275 / 50.2	197 / 7.8	216 / 8.5	361 / 14.2	699 / 27.5	699 / 27.5	(20) 1.125-7	635 / 25.0	344 / 757
G24C	609 / 24.00	1155.7 / 45.5	1562 / 61.5	1562 / 61.5	189 / 7.4	227 / 8.9	366 / 14.4	826 / 32.5	813 / 32.0	(20) 1.25-7	749 / 29.5	612 / 1346
G35C	889 / 35.00	1567 / 61.7	2138 / 84.2	2138 / 84.2	224 / 8.8	308 / 12.1	515 / 20.3	1264 / 49.8	1143 / 45.0	(28) 3/4-10	978 / 38.5	1814 / 3991

Many custom features available. Contact GNB for details.

[www.gnbvalves.com](http://www.gnbvalves.com)

**GNB**

VACUUM EXCELLENCE DEFINED

# Gate Valves Hand Wheel

GNB designs Hand Wheel Gate Valves for durability, performance, and value. Choose from standard sizes and features as shown, or contact us for custom options.

***High Vacuum  
H-Wheel Gate Valves  
Reliable Cycle Life  
Low Maintenance***



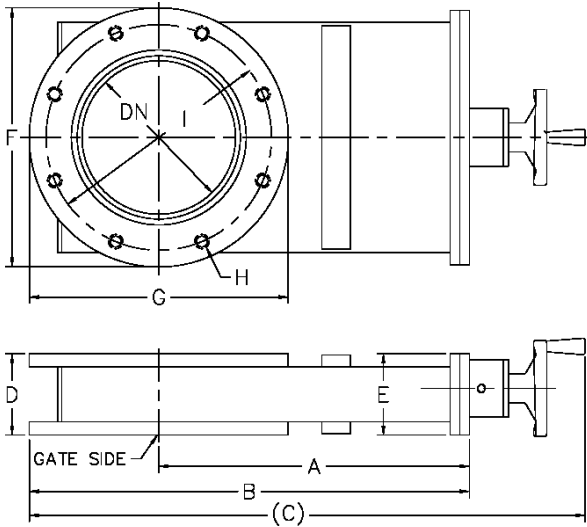
GNB Corporation  
3200 Dwight Road Suite 100  
Elk Grove, California 95758  
Ph: (916) 395-3003  
Fx: (916) 395-3363  
Em: info@gnbvalves.com

**Toll-Free: 1-800-398-8470**

[www.gnbvalves.com](http://www.gnbvalves.com)

## Features:

- Valve body/gate construction: 304 stainless steel or mild steel
- Surface: glass bead-blast finish at exterior and interior or paint exterior
- Opening sizes: ASA 3-16 flanges and large per customer request
- Dual o-ring seal shaft, 100,000 cycles minimum before first maintenance under clean vacuum conditions
- Actuator: Hand Wheel
- Magnetic position indicators
- Viton o-rings at flange, gate and bonnet
- Options: grained or electropolished finish, bellow sealed up to 1 million cycles



## Technical Data:

- Leak rate:  $<1.0 \times 10^{-9}$  std.atm.cc/sec of helium
- Vacuum rating:  $1 \times 10^{-7}$  Torr ( $1.3 \times 10^{-7}$  mbar)
- Positive pressure rating: 1atm (1 bar)
- Temperature range:  $\leq +392^\circ\text{F}$  ( $+200^\circ\text{C}$ )  
W/O Actuator
- Mounting position: any
- Air pressure required: 80-120 psig (5.5 bar-8.3 bar)

Model	DN mm/in	A mm/in	B mm/in	C mm/in	D mm/in	E mm/in	F mm/in	G mm/in	H qt/size	I mm/in	WT Kg / lb
G3W	86 / 3.4	212 / 8.3	307 / 12.1	421 / 16.6	89 / 3.5	73 / 2.9	191 / 7.5	191 / 7.5	( 4 ) 5/8-11	152 / 6.0	25 / 55
G4W	133 / 5.3	262 / 10.3	433 / 17.1	581 / 22.9	92 / 3.6	89 / 3.5	343 / 13.5	343 / 13.5	( 8 ) 3/4-10	299 / 11.8	27 / 59
G6DW	200 / 7.9	411 / 16.2	570 / 22.4	723 / 28.5	108 / 4.3	107 / 4.2	318 / 12.5	318 / 12.5	( 8 ) 3/4-10	241 / 9.5	36 / 79
G8W	203 / 8.0	411 / 16.2	583 / 22.9	736 / 29.0	108 / 4.3	107 / 4.2	343 / 13.5	343 / 13.5	( 8 ) 3/4-10	299 / 11.8	41 / 90
G10DW	305 / 12.0	573 / 22.6	776 / 30.6	926 / 36.4	102 / 4.0	102 / 4.0	427 / 16.8	406 / 16.0	( 12 ) 7/8-9	362 / 14.3	79 / 174
G16W	406 / 16.0	803 / 31.6	1102 / 43.4	1255 / 49.4	162 / 6.4	165 / 6.5	597 / 23.5	597 / 23.5	( 16 ) 1-8	540 / 21.3	272 / 598

Many custom features available. Contact GNB for details.

[www.gnbvalves.com](http://www.gnbvalves.com)

**GNB**  
VACUUM EXCELLENCE DEFINED

# Vacuum Chambers

GNB designs Vacuum Chambers for durability, performance, and value. Choose from standard sizes and features as shown, or contact us for custom options.

***High Vacuum  
Chambers at  
Reliable Cycle Life  
Low Maintenance***



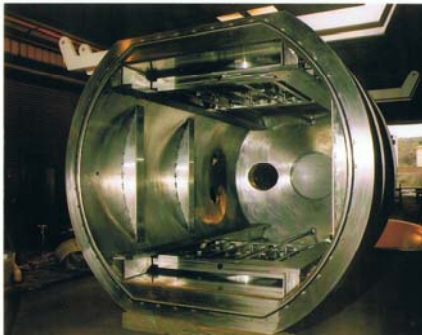
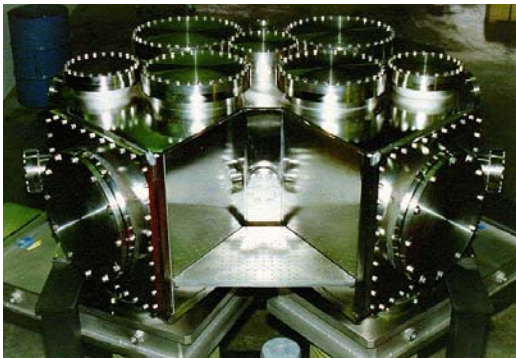
GNB Corporation  
3200 Dwight Road Suite 100  
Elk Grove, California 95758  
Ph: (916) 395-3003  
Fx: (916) 395-3363  
Em: info@gnbvalves.com

**Toll-Free: 1-800-398-8470**

[www.gnbvalves.com](http://www.gnbvalves.com)

## Features:

- Material of chamber: 304 stainless steel, mild steel and aluminum, or special material per customer
- Shape of chambers: Cylindrical, box, inline and customer designed
- Surface: glass bead-blast finish at exterior and interior or paint exterior, options: grained or electro-polished finish.
- Size: 3 ft—30 ft (1M—6 M) or larger with different flanges per customer request
- Vacuum rating:  $1 \times 10^{-7}$  Torr ( $1.3 \times 10^{-7}$  mbar), Leak rate:  $< 1.0 \times 10^{-9}$  std.atm.cc/sec of helium
- Temperature range:  $\leq +400^\circ\text{F}$  ( $+200^\circ\text{C}$ ) w/ water cool jackets per customer request
- Viton o-rings or metal seal at flanges



[www.gnbvalves.com](http://www.gnbvalves.com)

**GNB**  
VACUUM EXCELLENCE DEFINED