

Angle Valves ISO 100-320

GNB designs angle valves for durability, performance, and value. Choose from standard sizes and features as shown, or contact us for custom options.

***High Vacuum
Angle Valves
Reliable Cycle Life
Low Maintenance***



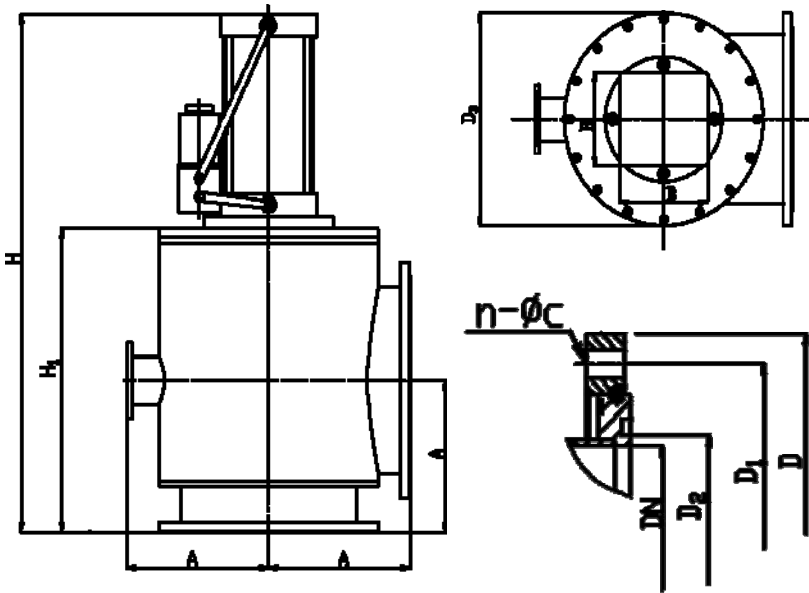
GNB Corporation
3200 Dwight Road Suite 100
Elk Grove, California 95758
Phone: (916) 395-3003
Fax: (916) 395-3363
Email: info@gnbvalves.com

Toll-Free: 1-800-398-8470

www.gnbvalves.com

Features:

- Valve body/poppet construction: 304L stainless steel
- Electropolished surface finish interior; glass bead-blast finish exterior
- Opening sizes: 100mm - 320mm bolted rotatable ISO flanges
- Bellows sealed linear electro-pneumatic actuation—100,000 cycles before first maintenance under clean Vacuum conditions
- 24V DC / 110V AC/ 220V AC solenoid
- Magnetic position indicators
- Viton o-rings at poppet and bonnet
- Designed for reliable operation even in industrial environments



Technical Data:

- Leak rate: $<1.3 \times 10^{-9}$ std.atm.cc/sec of helium
- Vacuum rating: 1×10^{-7} Torr (1.3×10^{-7} mbar)
- Positive gage pressure rating: 1atm (1 bar)
- Temperature range: $\leq +300^\circ\text{F}$ ($+150^\circ\text{C}$)
- Mounting position: any
- Solenoid: 24V DC/ 110V AC/ 220V AC
- Air pressure required: 80-120 psig (5.5-8.3 bar)

Model	DN mm/in	D mm/in	D ₁ mm/in	D ₂ mm/in	D ₃ mm/in	A mm/in	H mm/in	H ₁ mm/in	n-øc qty/size	B mm/in	WT kg/lb	Price (USD)
A(ISO100)PSBP	100/ 3.94	165/ 6.50	145/ 5.71	105/ 4.13	159/ 6.26	108/ 4.25	323/ 12.72	222/ 8.74	8/ Ø9mm	77/ 3.03	12/ 26	\$1500
A(ISO160)PSBP	160/ 6.30	225/ 8.86	200/ 7.87	165/ 6.49	219/ 8.62	138/ 5.43	442/ 17.40	288/ 11.34	8/ Ø11mm	98/ 3.86	24/ 53	\$2100
A(ISO200)PSBP	200/ 7.87	285/ 11.22	260/ 10.24	208/ 8.19	273/ 10.75	200/ 7.87	541.5/ 21.32	368/ 14.49	12/ Ø11mm	98/ 3.86	42/ 93	\$3100
A(ISO250)PSBP	250/ 9.84	335/ 13.19	310/ 12.21	258/ 10.16	330/ 12.99	208/ 8.19	741/ 29.17	432/ 17.00	12/ Ø11mm	112/ 4.41	85/ 187	\$3800
A(ISO320)PSBP	320/ 12.60	425/ 16.73	395/ 15.55	328/ 12.91	400/ 15.75	250/ 9.84	825/ 32.48	516/ 20.31	12/ Ø14mm	112/ 4.41	127/ 280	\$4800

Many custom features available. Contact GNB for details.

www.gnbvalves.com

GNB

VACUUM EXCELLENCE DEFINED

Angle Valves ISO 400 -1000

GNB designs angle valves for durability, performance, and value. Choose from standard sizes and features as shown, or contact us for custom options.

***High Vacuum
Angle Valves
Reliable Cycle Life
Low Maintenance***



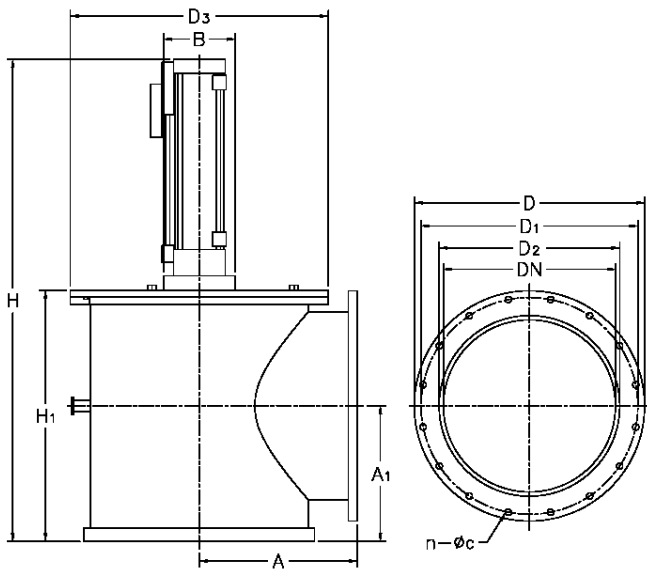
GNB Corporation
3200 Dwight Road Suite 100
Elk Grove, California 95758
Ph: (916) 395-3003
Fx: (916) 395-3363
Em: info@gnbvalves.com

Toll-Free: 1-800-398-8470

www.gnbvalves.com

Features:

- Valve body/poppet construction: 304 stainless steel or mild steel
- Surface: glass bead-blast finish at exterior and interior or paint exterior
- Opening sizes: ISO 400 mm – 1000 mm flanges and large per customer request
- Dual o-ring seal shaft, 100,000 cycles minimum before first maintenance
- Actuator: electro pneumatic, option electric, solenoid voltage 24V DC / 110V AC/ 220V AC
- Magnetic position indicators
- Viton o-rings at flange, poppet and bonnet
- Options: grained or electropolished finish, bellows sealed up to 1 million cycles



Technical Data:

- Leak rate: $<1.0 \times 10^{-9}$ std.atm.cc/sec of helium
- Vacuum rating: 1×10^{-7} Torr (1.3×10^{-7} mbar)
- Positive gage pressure rating: 1atm (1 bar)
- Temperature range: $\leq 400^\circ\text{F}$ ($+200^\circ\text{C}$)
W/O actuator
- Mounting position: any
- Air pressure required: 80-120 psig (5.5 bar-8.3 bar)

Model	DN mm /in	D mm/ in	D ₁ mm/ in	D ₂ mm/ in	D ₃ mm/ in	A mm/ in	A ₁ mm/ in	H mm/ in	H ₁ mm/ in	n- Øc qty/ size	B mm /in	WT kg/ lb
A(ISO400)P	400/ 15.75	510/ 20.1	480/ 18.9	400/ 15.75	520.7/ 20.5	246.1/ 9.7	350/ 13.78	776/ 30.55	497/ 19.56	16/ M12	114.3 /4.5	200/ 440
A(ISO500)P	500/ 19.67	610/ 24.0	580/ 22.8	500/ 19.67	647.7/ 25.5	316.5/ 12.5	370.1/ 14.6	1012.5/ 39.86	623.8/ 24.56	16/ M12	153.4 /6.04	235/ 520
A(ISO630)P	630/ 24.8	750/ 29.53	720/ 28.35	651/ 25.63	792.23/ 31.19	444.5/ 17.5	444.5/ 17.5	1622.6/ 63.88	846.1/ 33.31	20/ M12	193.3 /7.61	315/ 690
A(ISO800)P	800/ 31.5	920/ 36.2	890/ 35.0	800/ 31.5	1117.6/ 44.0	600.0/ 23.63	610.0/ 24.0	2286.0/ 90.0	1187.5/ 46.75	24/ M12	228.6 /9.0	930/ 2050
A(ISO1000)P	1000/ 39.37	1120/ 44.1	1090/ 42.9	1000/ 39.37	1255/ 49.4	690.0/ 27.2	690.0/ 27.2	1772/ 69.75	1195.6/ 47.1	32/ M12	228.6 /9.0	1090/ 2400

Many custom features available. Contact GNB for details.

www.gnbvalves.com

GNB

VACUUM EXCELLENCE DEFINED

Angle Valves ASA 14 - 35

GNB designs angle valves for durability, performance, and value. Choose from standard sizes and features as shown, or contact us for custom options.

***High Vacuum
Angle Valves
Reliable Cycle Life
Low Maintenance***



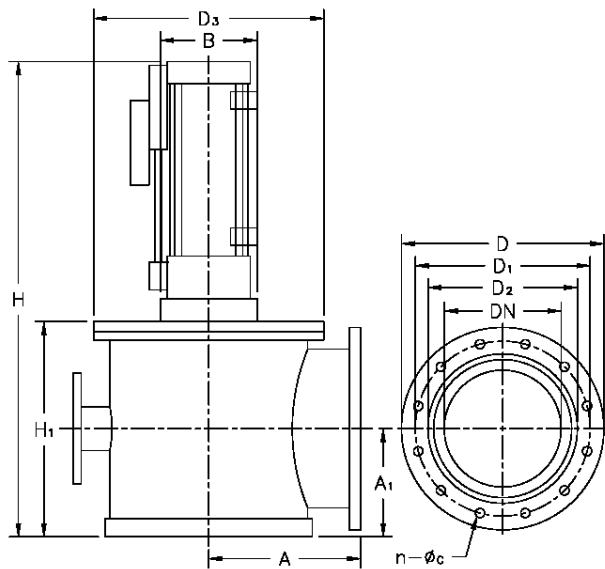
GNB Corporation
3200 Dwight Road Suite 100
Elk Grove, California 95758
Ph: (916) 395-3003
Fx: (916) 395-3363
Em: info@gnbvalves.com

Toll-Free: 1-800-398-8470

www.gnbvalves.com

Features:

- Valve body/poppet construction: 304 stainless steel or mild steel
- Surface: glass bead-blast finish at exterior and interior or paint exterior
- Opening sizes: 14 to 35 inches ASA flanges and large per customer request
- Dual o-ring seal shaft, 100,000 cycles minimum before first maintenance under clean vacuum conditions
- Actuator: electro pneumatic, solenoid voltage 24V DC / 110V AC/ 220V AC
- Magnetic position indicators
- Viton o-rings at flange, poppet and bonnet
- Option: grained or electropolished finish, bellows sealed up to 1 million cycles



Technical Data:

- Leak rate: $<1.0 \times 10^{-9}$ std.atm.cc/sec of helium
- Vacuum rating: 1×10^{-7} Torr (1.3×10^{-7} mbar)
- Positive pressure rating: 1atm (1 bar)
- Temperature range: $\leq 400^\circ\text{F}$ ($+200^\circ\text{C}$)
W/O actuator
- Mounting position: any
- Air pressure required: 80-120 psig (5.5 bar-8.3 bar)

Mode I	DN mm/ in	D mm/in	D ₁ mm/in	D ₂ mm/in O-ring ID	D ₃ mm/in	A mm/ in	A ₁ mm/ in	H mm/ in	H ₁ mm/in	n-Øc qty/ size	B mm/ in	WT kg/ lb
A14P	355.6/ 14.0	533.4/ 21.0	476.25/ 18.75	368.3/ 14.5	520.7/ 20.5	234.95 9.25	304.8/ 12.0	971.55 / 38.25	460.5/ 18.13	12/ 1-8	114.3/ 4.50	177/ 390
A16P	406.4/ 16.0	596.9/ 23.5	539.75/ 21.25	444.5/ 17.5	577.85/ 22.75	234.95/ 9.25	406.4/ 14.0	977.9/ 38.5	485.9/ 19.13	16/ 1-8	133.4/ 5.25	200/ 440
A18P	457.2/ 18.0	596.9/ 23.5	539.75/ 21.25	469.9/ 18.5	577.85/ 22.75	261.87/ 10.31	406.4/ 14.0	1073.4/ 42.26	536.7/ 21.13	16/ 1-8	133.4/ 5.25	225/ 495
A20P	520.7/ 20.5	698.5/ 27.5	635.0/ 25.0	549.4/ 21.63	696.2/ 27.41	355.6/ 14.0	406.4/ 16.0	1432.1/ 56.38	695.45/ 27.38	20/ 1.125-7	181.6/ 7.15	255/ 560
A24P	605/ 23.82	723.9/ 28.5	685.8/ 27.0	647.7/ 25.5	781.0/ 30.75	444.5/ 17.5	482.6/ 19.0	1622.6/ 63.88	846.1/ 33.31	12/ 0.75-10	196.9/ 7.75	315/ 693
A35P	889.0/ 35.0	1060.5/ 41.75	977.9/ 38.5	901.7/ 35.5	1117.6/ 44.0	600.2/ 23.63	609.6/ 24.0	2286.0/ 90.0	1187.5/ 46.75	28/ 0.75-10	228.6/ 9.0	2000 /910

Many custom features available. Contact GNB for details.

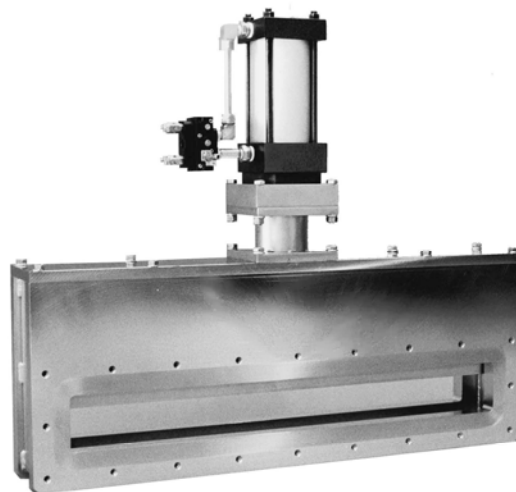
www.gnbvalves.com

GNB

VACUUM EXCELLENCE DEFINED

Slit Gate Valves

GNB designs slit gate valves for durability, performance, and value, easy maintenance. Choose from standard sizes and features as shown, or contact us for custom options.



***Transfer Valves
Load Lock
FPD Process
Solar Industry***

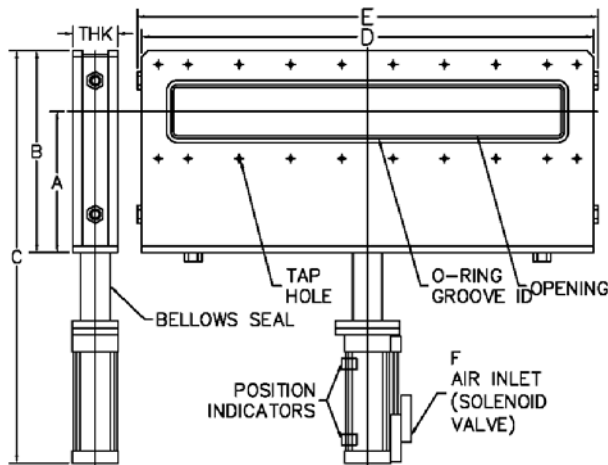
GNB Corporation
3200 Dwight Road Suite 100
Elk Grove, California 95758
Ph: (916) 395-3003
Fx: (916) 395-3363
Em: info@gnbvalves.com

Toll-Free: 1-800-398-8470

www.gnbvalves.com

Features:

- Valve body /gate construction: 304 stainless steel, mild steel, aluminum
- Opening sizes: typical between 1.0 x 6.0 inches and 48 x 144 inches, or size per customer request
- Surface: glass bead blast finish at interior and exterior or paint exterior
- Bellows seal feed-through, life cycles up to 1 million before first maintenance
- Actuator: Pneumatic (options: Electric), hydraulic, electro pneumatic
- Solenoid voltage : 24 VDC / 110VAC / 220VAC
- Magnetic position indicators
- Options: grained or electro-polished finish; water cooling on body, gate.



Technical Data:

- Leak rate: $<1.0 \times 10^{-9}$ std.atm.cc/sec of helium
- Vacuum rating: 1×10^{-7} Torr (1.3×10^{-7} mbar)
- Pressure rating: 1.0 atm (1.0 bar) in either direction
- Temperature range: $\leq 400^\circ \text{F}$ (200°C)
- Mounting position: any
- Air pressure required: 80-120 psig (5.5 bar-8.3 bar)

Model	Flange Dimension - Inches[mm]		Valve Dimensions - Inches [mm]						Max. THK	Approx WT (lb)
	Opening ID	Tap Hole	A	B	C	D	E	F		
G(1x6)P	1 [25.4]x6 [152.4]	1/4-20 5/16-18	4.62 [117.3]	6.32 [160.5]	16.63 [422.5]	9.50 [241.3]	9.50 [241.3]	1/4 NPTF	2.81 [71.4]	38
G(1x18)P	1 [25.4]x18 [457.2]	1/4-20 ---	4.63 [117.6]	6.98 [177.3]	17.60 [447.0]	21.50 [546.1]	21.50 [546.1]	1/4 NPTF	3.06 [77.8]	98
G[30x1350]P	1.18 [30]x53 [1350]	M8x1.0 ---	9.91 [251.6]	16.88 [428.6]	28.69 [728.7]	63.00 [1600.0]	64.54 [1640.0]	3/8 NPTF	6.30 [160.0]	971
G(3x13.23)P	3 [76.2]x13 [336.1]	5/16-24 ---	9.73 [247.1]	13.35 [339.2]	26.77 [680.1]	17.58 [446.5]	17.58 [446.5]	3/8 NPTF	3.22 [81.8]	130
G(3x18)P	3 [76.2]x18 [457.2]	1/2-13 ---	11.09 [281.8]	18.09 [459.6]	32.72 [831.1]	29.00 [736.6]	29.00 [736.6]	3/8 NPTF	4.56 [115.8]	425
G(3x42)P	3 [76.2]x42 [1066.8]	1/2-13 ---	10.82 [272.8]	19.07 [484.4]	34.86 [885.5]	52.00 [1320.8]	52.00 [1320.8]	3/8 NPTF	4.38 [111.3]	730
G[80x550]P	3.15 [80]x21.7 [550]	M10x1.5 ---	10.43 [264.9]	14.94 [379.5]	30.90 [784.9]	27.30 [693.3]	28.14 [714.8]	1/4 NPTF	4.56 [115.8]	425
G[80x1400]P	3.15 [80]x55.1 [1400]	M12x1.75 ---	12.01 [305.1]	18.59 [472.2]	31.46 [799.1]	70.86 [1799.8]	70.86 [1799.8]	3/8 NPTF	5.81 [147.6]	1200
G(4x20)P	4 [100]x19.6 [498.0]	M6x1.0 ---	12.39 [314.8]	17.33 [440.2]	33.33 [846.7]	26.25 [666.8]	27.10 [688.2]	1/4 NPTF	4.44 [112.8]	400
G(4x28)P	4 [101.6]x28.0 [711.2]	M12x1.75 ---	11.70 [297.3]	19.70 [500.5]	37.17 [944.2]	39.25 [997.0]	39.25 [997.0]	1/4 NPTF	4.50 [114.3]	600
G(4x30)P	4 [100]x30.0 [762.0]	M12x1.75 ---	11.70 [297.3]	19.70 [500.5]	37.17 [944.2]	39.25 [997.0]	39.25 [997.0]	1/4 NPTF	4.50 [114.3]	600
G(4.5x12)P	4.5 [114.3]x12 [304.8]	-- ---	11.95 [303.6]	16.02 [406.8]	31.43 [798.4]	19.00 [482.6]	19.00 [482.6]	1/4 NPTF	3.99 [101.3]	205
G[120x960]P	4.72 [120]x37.8 [960]	M10x1.5 ---	13.71 [348.2]	19.64 [499.0]	40.14 [1019.5]	44.05 [1118.8]	44.91 [1140.7]	1/4 NPTF	4.38 [111.3]	650
G[6x30]P	6 [152.4]x30 [762.0]	3/8-16 ---	16.00 [406.4]	21.44 [544.5]	36.88 [936.8]	36.00 [914.4]	36.00 [914.4]	1/4 NPTF	4.31 [109.5]	700
G(8x16.5)P	7.8 [196.9]x16.5 [419.1]	5/16-24 ---	19.06 [484.2]	26.40 [670.6]	48.25 [1225.6]	22.17 [563.2]	22.99 [5863.9]	3/8 NPTF	4.00 [101.6]	315
G[200x1140]P	7.87 [200]x44.9 [1140]	1/2-13 ---	21.13 [536.7]	33.13 [841.5]	58.38 [1482.7]	57.00 [1447.8]	57.00 [1447.8]	1/4 NPTF	6.06 [152.4]	2250

Many custom features available. Contact GNB for details.



VACUUM EXCELLENCE DEFINED